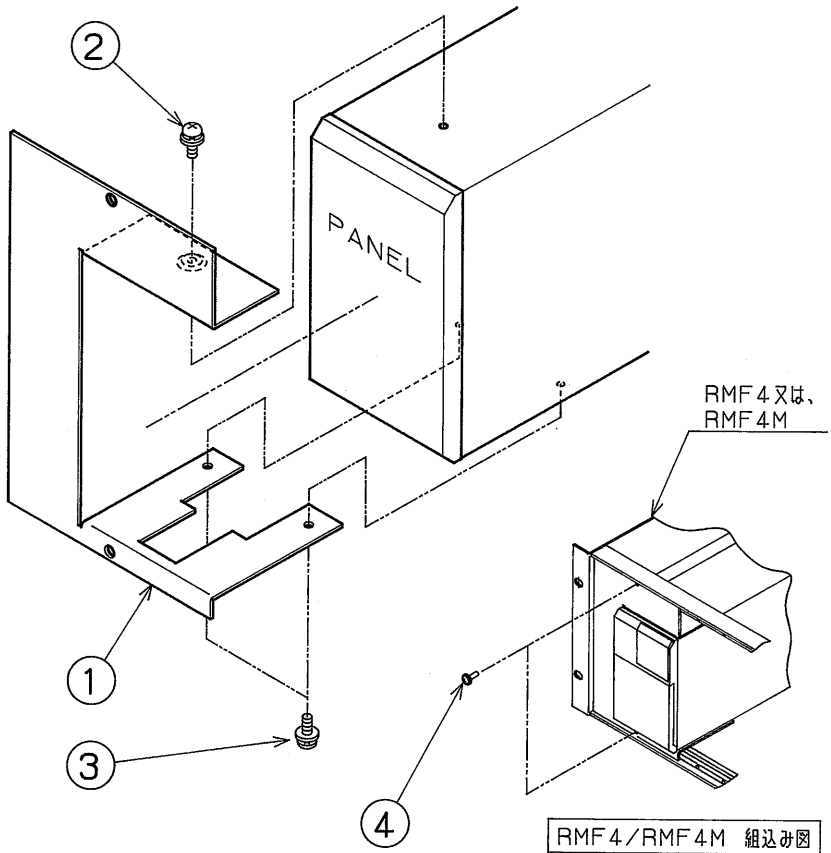


BRACKET B4-P1A



(注記)

PAK-A/AMシリーズ(350Wタイプ)に御使用される場合には、

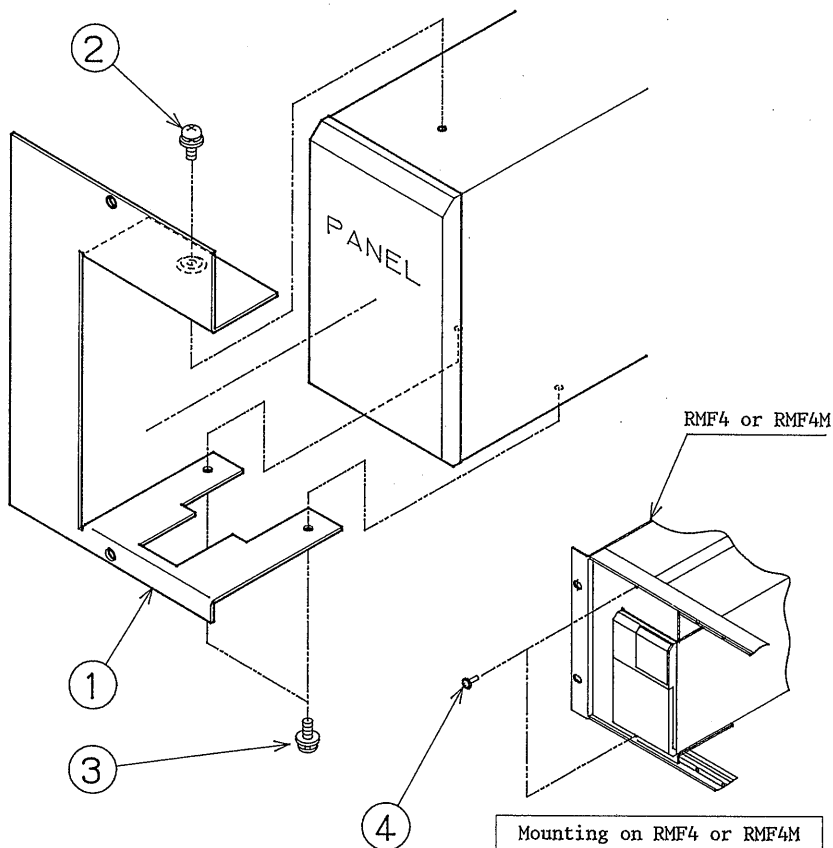
指定ネジ以外の御使用は、さけて下さい。

(特に2番、3番のネジの場合、故障の原因になります。)

NO.	DESCRIPTION	QTY
1	BRKT B4-P1A	1
2	SCREW WITH SW,PW M3X0.5X10 S-ZN	1
3	SCREW WITH SW,PW M3X0.5X6 S-ZN	2
4	SCREW WITH PW-K M4X0.7X8 B-NI	2

適用ラックマウントフレーム RMF 4
RMF 4M

BRACKET B4-PIA



[CAUTION]

When using the brackets for PAK-A/AM Series (350W Type) Regulated DC Power Supplies, be sure to use the specified types of screws. [This is especially true for screws ② and ③. Note that troubles may result if you use other types of screws.]

NO.	DESCRIPTION	QTY
1	BRKT B4-PIA	1
2	SCREW WITH SW,PW M3X0.5X10 S-ZN	1
3	SCREW WITH SW,PW M3X0.5X6 S-ZN	2
4	SCREW WITH PW-K M4X0.7X8 B-NI	2

Applicable rack mount frames: RMF4 and RMF4M